

Mounting Options Galore

Every installation can be unique so flexibility in mounting approach is critical. The C5 easily attaches to specially designed Mimosa mounting accessories.



Advanced J-Mount

The Mimosa Advanced J-Mount accessory accommodates most under roof eave mounting applications. With an extra axis of rotation to align the C5 and keep it level to the horizon, the J-Mount provides three degrees of rotation for elevation, azimuth and pole twist adjustment for precise aiming.



FlexiMount

The Mimosa FlexiMount pole and surface mount accessory accommodates both vertical and horizontal pole mounting applications, as well as basic flat wall mounting where minimizing the distance of the C5 relative to the wall is important.

Power Without the Mess



Gigabit POE Injector

The Mimosa Gigabit 56V passive PoE wall plug is compact and clutter-free, eliminating the typical installation mess of power strips and extension cords. Leave behind a professional-looking installation while reducing the chances of accidental power disconnects caused by consumers tapping into power strips.

Sleek, Affordable Network Interface With ESD and Grounding



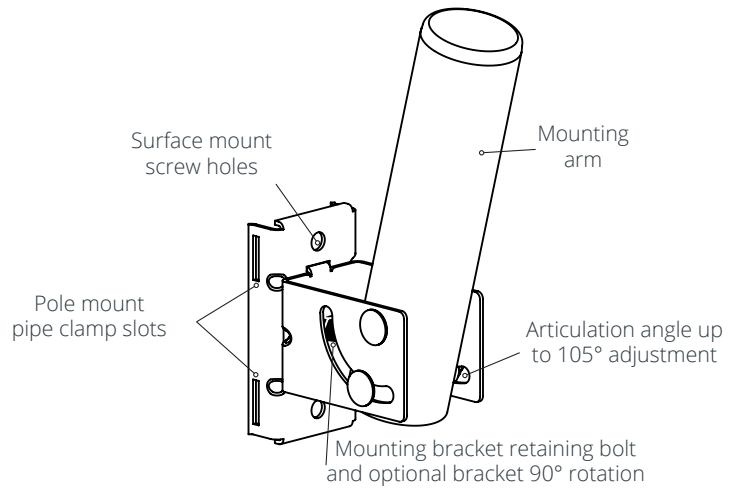
Gigabit NID

The sleek and affordable Mimosa Gigabit Network Interface Device (NID) is designed for exterior wall mounting, providing outdoor technician access, ESD protection and grounding point for C5 and C5c installation. The dust and water resistant design has a foam cable entry seal and a security fastener tie point.

Technical Specifications

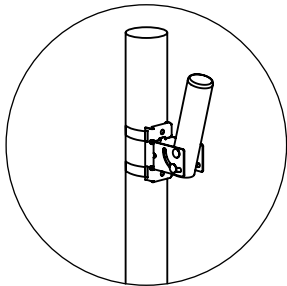
FlexiMount

- **Weight:**
0.43 kg (15.2 oz)
- **Mounting Base:**
45 mm (1.77") x 80 mm (3.15")
- **Pole Length:**
100 mm (3.94")
- **Pole Outside Diameter:**
38 mm (1.5")
- **Mounting Options:**
Pole mount with two pipe clamp or surface mount with two screw hole points
- **Assembly:**
Pre-assembled with a white powder coated finish. Mounting screws and pipe/hose clamps not included.



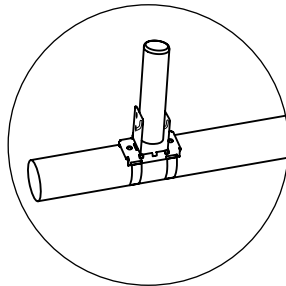
Vertical Poles

The FlexiMount comes assembled ready for vertical pole configurations, using the indicated pipe clamp slots in the diagram below.



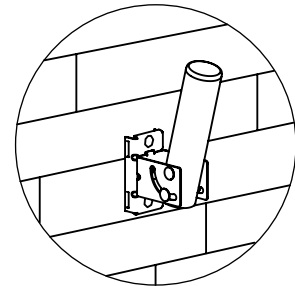
Angled and Flat Poles

The FlexiMount can be mounted in any orientation on angled and flat poles. To pivot the articulation direction, rotate the mounting base in 90° constraints to achieve the desired orientation.



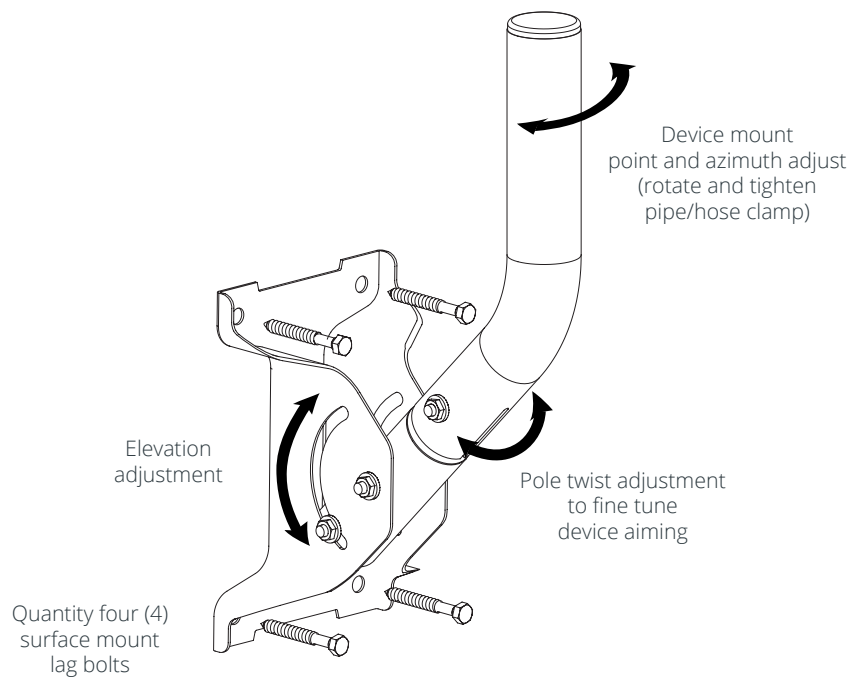
Flat Surfaces

The FlexiMount includes two (2) convenient mounting screw hole points, allowing mounting to any vertical, sloped or horizontal surface.



Advanced J-Mount

- **Weight:**
0.96 kg (33.8 oz)
- **Mounting Base:**
191 mm (7.52") x 120 mm (4.72")
- **Pole Length:**
355 mm (14")
- **Pole Outside Diameter:**
38 mm (1.5")
- **Mounting Options:**
Surface mount with four screw hole points
- **Assembly:**
Pre-assembled with a white powder coated finish. Includes four (4) 6.35 mm (0.25") lag bolts. Pipe/hose clamps not included.



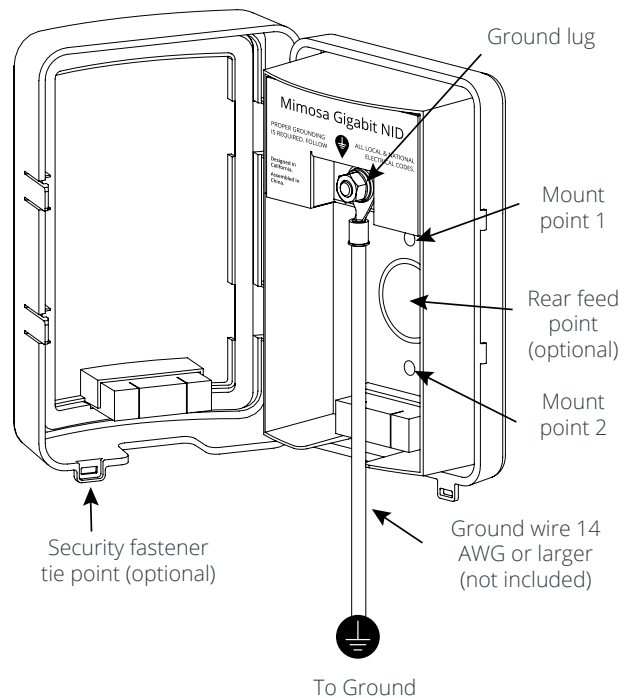
Gigabit PoE Wall Plug (for C5 and C5c CPE Radios)

- **Data Transfer Rate:**
Gigabit rated
- **Connectors:**
Two (2) RJ-45
- **LEDs:**
Power Indicator
- **Input Voltage:**
100-240V ~ 0.8A 50-60 Hz
- **Output Voltage:**
56V±0.275A
PIN 3,6 +56V
PIN 1,2 RETURN
- **AC Plug Types**
Americas: Type A
EU: Type C
UK: Type G
AU/NZ: Type 1 -2 pin insulated
- **Dimensions:**
51 mm (2.0") x 86 mm (3.4") x 33 mm (1.3")
- **Weight:**
0.11 kg (3.8 oz)
- **Operating Temperature:**
-40 to +55 C
- **Compliance and Safety:**
UL60950-1, IEC 60950-1, EN 55022, RoHS



Gigabit Network Interface Device (NID)

- **Data Transfer Rate:**
Gigabit rated
- **Connectors:**
Two (2) RJ-45
- **Protection Mode:**
Line-to-line and line-to-ground
- **Surge Arrestor:**
GTD (Gas Discharge Tube)
- **Nominal Voltage:**
20V @ 1A
- **DC Sparkover:**
90V @ 100V/s
- **Impulse Sparkover:**
550V @ 1000V/μs
- **Impulse Discharge Current:**
10kA
- **Capacitance:**
< 1.0pF @ 1 MHz
- **Mounting:**
Wall mount. Two screw mounting points for secure access to flat surface with optional rear feed point for clean installations.
- **Dimensions:**
42 mm (1.6") x 131 mm (5.1") x 84 mm (3.3")
- **Weight:**
0.13 kg (4.8 oz)
- **Operating Temperature:**
-40 to +55 C
- **Humidity:**
5 to 100% condensing
- **Environmental Protection:**
IP54 (Dust and Water Intrusion Protection)



mimosa

Mimosa Networks, Inc. • www.mimosa.co • @gomimosa